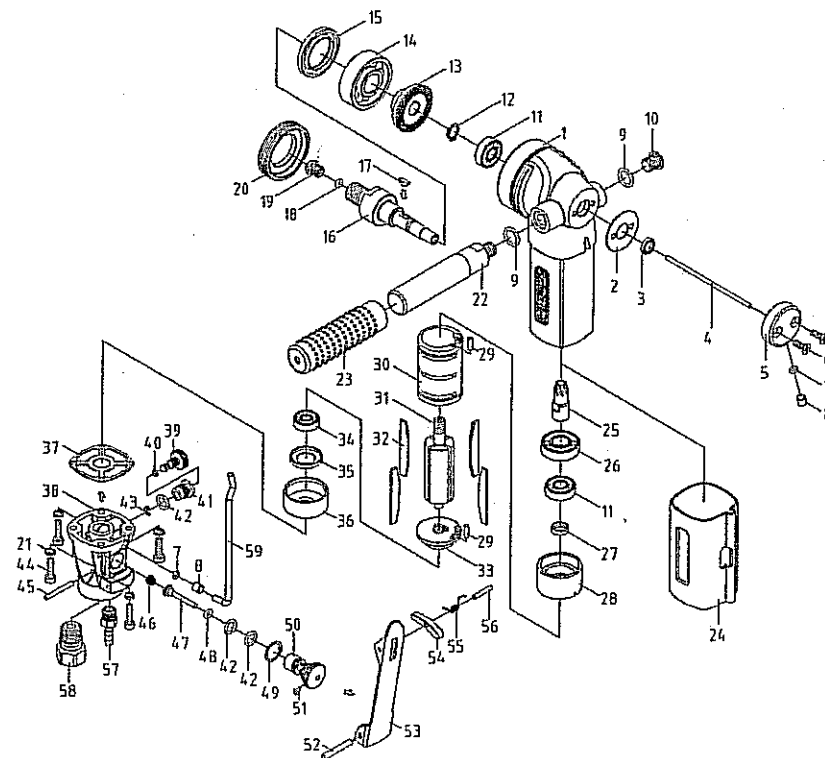


# Quick Q-6R Pneumatic Polisher with Rear Exhaust (Parts and accessories)

**A M P - TEKNIK A/S**

Glentevej 33 - 4600 Køge - Danmark  
 Tlf.: (0045)-48183089 Fax: (0045)-48183387  
 E-mail: info@amp-teknik.dk  
 www.amp-teknik.dk



## PARTS LIST

Item No.	Part No.	Description	Qty	Item No.	Part No.	Description	Qty
1	48501	Main Body	1	31	48531	Rotor	1
2	48502	Rear Gasket	1	32	48532	Rotor Blade	4
3	48503	Oil Sealer	1	33	48533	End Plate	1
4	48504	Water Inlet Tube	1	34	48534	Bearing	1
5	48505	Water Inlet Transfer Pos	1	35	48535	Bearing Cover	1
6	48506	Screw	2	36	48536	Rear Cylinder Cap Cover	1
7	38504	O-Ring	2	37	48537	Rear Gasket	1
8	38505	Brass Cover	2	38	48538	Foundation	1
9	38503	O-Ring	2	39	48539	Screw	1
10	38533	Screw	1	40	48540	O-Ring	1
11	48511	Bearing	2	41	48541	Screw	1
12	48512	Retainer Ring	1	42	38509	O-Ring	3
13	48513	Spiral Gear	1	43	48543	Retainer Ring	1
14	48514	Bearing	1	44	48544	Hex Screw	4
15	48515	Oil Sealer	1	45	48545	Pin	1
16	48516	Main Shaft	1	46	48546	Spring	1
17	48517	Locking Key	1	47	48547	Valve Stem	1
18	48518	O-Ring	1	48	13018	O-Ring	1
19	48519	Fountain Head	1	49	48549	Wave Washer	1
20	48520	Locking Screw Cap	1	50	48550	Regulator	1
21	38548	Spring Washer	4	51	48551	Rivet	1
22	38541	Handle	1	52	48552	Pin	1
23	38542	Handle Sleeve	1	53	48553	Trigger	1
24	48524	Rubber Glue	1	54	48554	Lever	1
25	48525	Spiral Gear	1	55	48555	Spring	1
26	48526	Bearing	1	56	48556	Spring Pin	1
27	48527	Rotor Collar	1	57	48557	Water Inlet	1
28	48528	Front Plate	1	58	24402	Air Inlet	1
29	38517	Spring Pin	2	59	48559	Water Inlet Tube	1
30	48530	Cylinder	1				