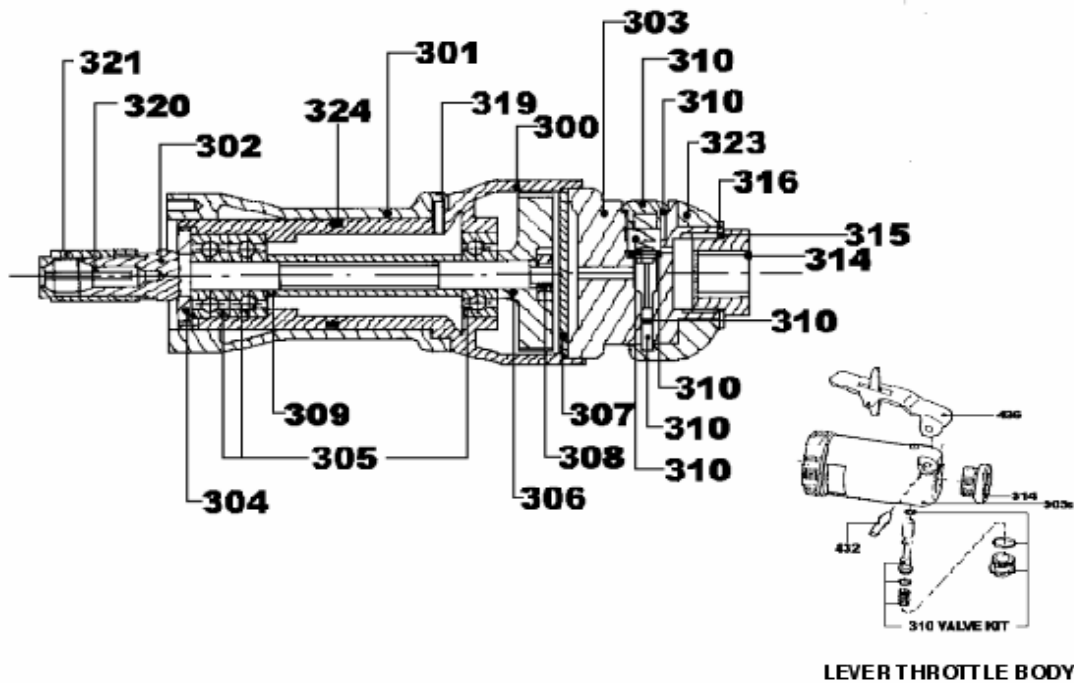


# SE50 Mk III Routing Machine



Code	Part No.	Description
MMP840	SE300	Body
MMP841	SE301	Motor Body Sleeve
MMP766	SE302	Spindle
	SE303	Twist Throttle Body
MMP839	SE303SL	Safety Lever Throttle Body
MMP819	SE304	Bearing Retainer
BNMPS305	SE305	Bearings
MMP765	SE306	Impeller
MMP764	SE307	Jet Plate
MMP902	SE308	Lock Nut
MMP820	SE309	Bearing Spacer
BNMPS310	SE310	Valve Kit
BNMPS314	SE314	Connection Union
BNMPS315	SE315	"O" Ring
MMP316	SE316	Washer
BNMPS319	SE319	2BA x 1/2" S/S CSK Slotted
BNMPS320	SE320	Collet 6mm
BNMPS320A	SE320A	Collet 5mm
BNMPS320B	SE320B	Collet 1/4"
BNMPS320C	SE320C	Collet 1/8"
BNMPS321	SE321	Collet Nut
MMP877	SE323	Twist Throttle Lever
BNMPS324	SE324	"O" Ring
MMP702	SE325	Cowl
MMP763	SE326	Dust Extraction Cowl
BNMPS327	SE327	4BA x 3/8" S/S CSK Slotted
MMPL10	SE328	Oil
BNMPS432	SE432	Trigger Safety Lever Pin
BNMPS433	SE433	Trigger Safety Lever Block
MMP841	SE434	Motor Body Sleeve Insert
BNMPS436	SE436	Trigger Safety Lever

**AMP-TEKNIK.DK**

Glentevej 33 - 4600 Køge - Denmark  
Tlf 48183089 - Fax 48183387

