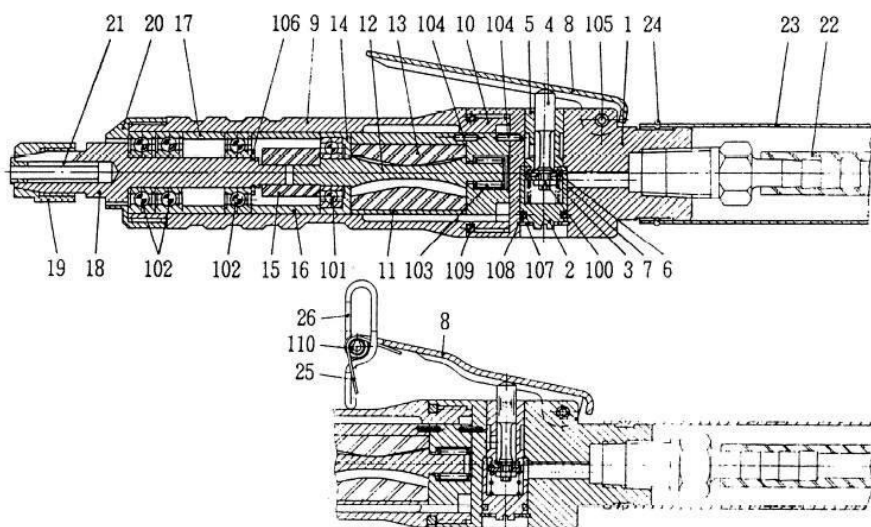
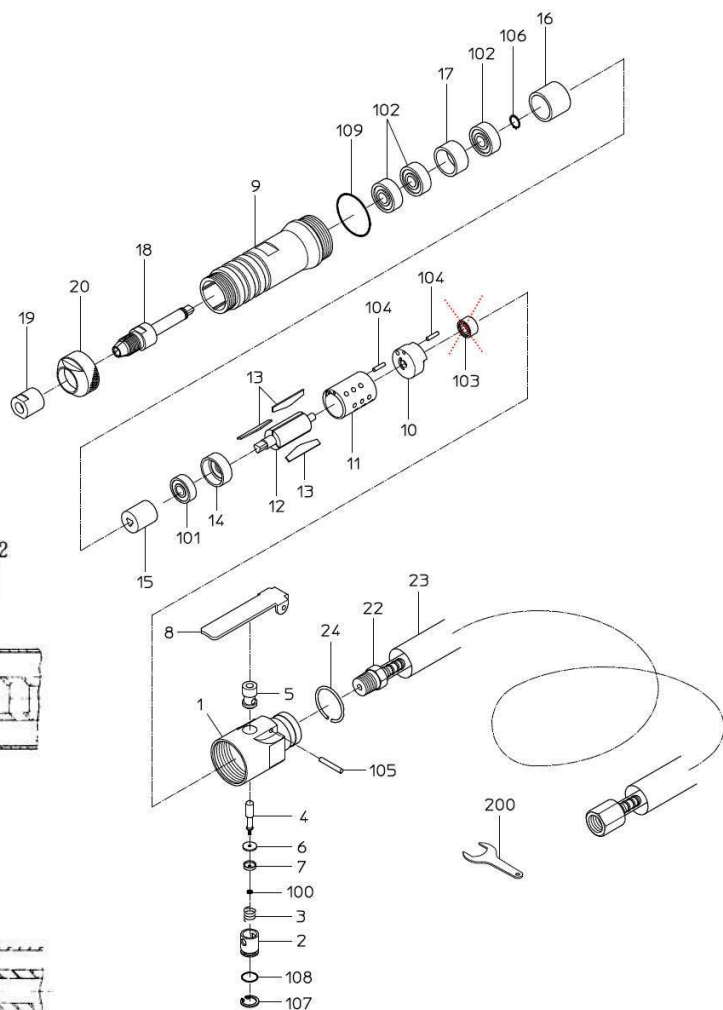


PARTS LIST Straight Grinder RG-16A



RG-16ALW



No.	Parts No.	Parts Name	Q' ty	No.	Parts No.	Parts Name	Q' ty
1	G03010H550	HANDLE	1	104	3030020060	SPRING PIN	2
2	G03010G010	ADJUST VALVE	1	105	3030030220	SPRING PIN	1
3	G03010B210	THROTTLE SPRING	1	106	3200010080	RETAINING RING	1
4	G03010H310	THROTTLE PIN	1	107	3200020120	RETAINING RING	1
5	G03010H270	THROTTLE BUSH	1	108	4154100090	O RING	1
6	G03010V420	VALVE SEAT	1	109	4154100280	U RING	1
7	G03010H340	THROTTLE WASHER	1				
8	G03010H880	LEVER	1				
9	G03010R730	ROTOR CASE	1	FOR ONLY RG-16ALW			
10	G03010R300	TOP PLATE	1	8	G03W10H880	LEVER	1
11	G03010R200	CYLINDER	1	25	G03W10B250	STOPPER SPRING	1
12	G03010R720	ROTOR	1	26	G03W10Z260	STOPPER	1
13	G03010R500	VANE	3	110	3030035200	SPRING PIN	1
14	G03010R510	BOTTOM PLATE	1				
15	G03010Z240	JOINT	1				
16	G03010Z780	BEARING COLLAR	1				
17	G03010S630	BEARING WASHER	1				
18	G03010K170	COLLET BODY	1				
19	G03010K180	COLLET NUT	1				
20	G03010R810	ROTOR CASE CAP	1				
21	G03N10K160	COLLET BUSH (3)	1				
21	G03P10K160	COLLET BUSH (3.175)	1				
22	6207050003	SUPPLYING HOSE CP	1				
23	G03010E110	EXHAUST HOSE	1				
24	F04000Z340	STOPPER RING	1				
100	1992003001	HEX.NUT	1				
101	2012000607	BALL BEARING	1				
102	2012000608	BALL BEARING	3				
103	2330050909	NEEDLE BEARING	1				



Maskinen erklæres at være i overensstemmelse med vilkårene
 i direktiv 98/37/EC
 - NPK -